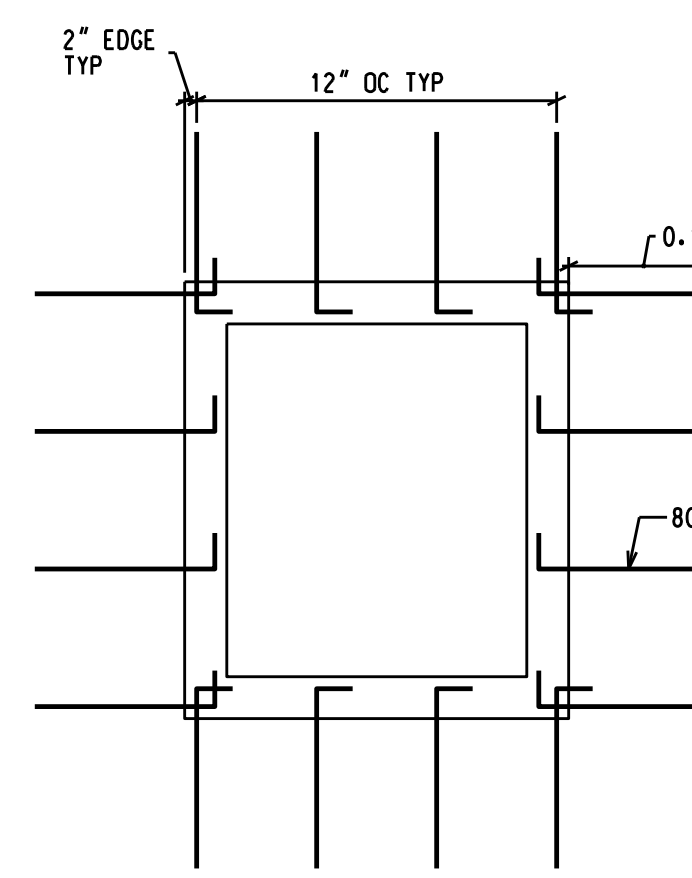
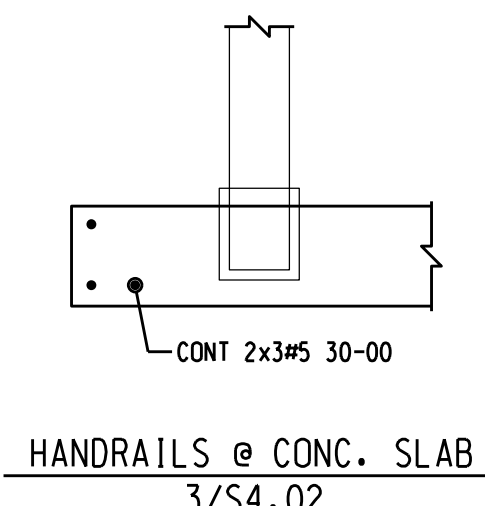


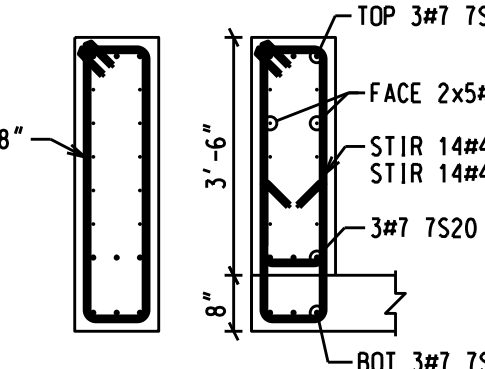
SLAB REINFORCEMENT @ COLUMNS



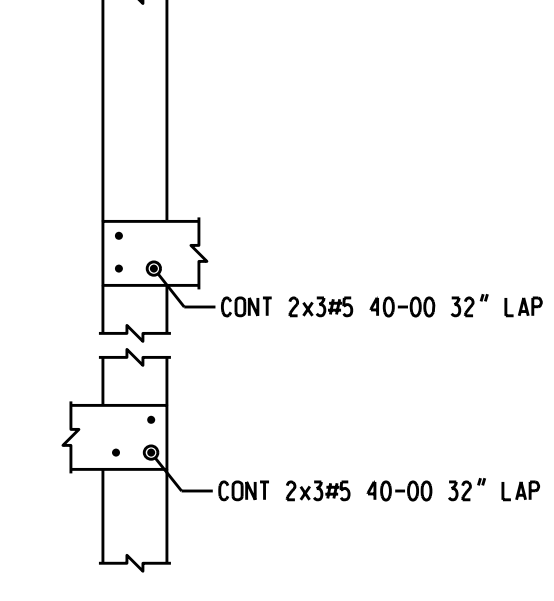
ADD'L REINF. @ SHEARWALLS  
U.N.O. ON PLAN



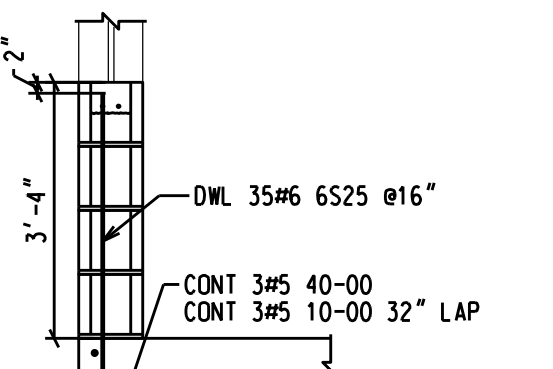
HANDRAILS @ CONC. SLAB  
3/S4.02



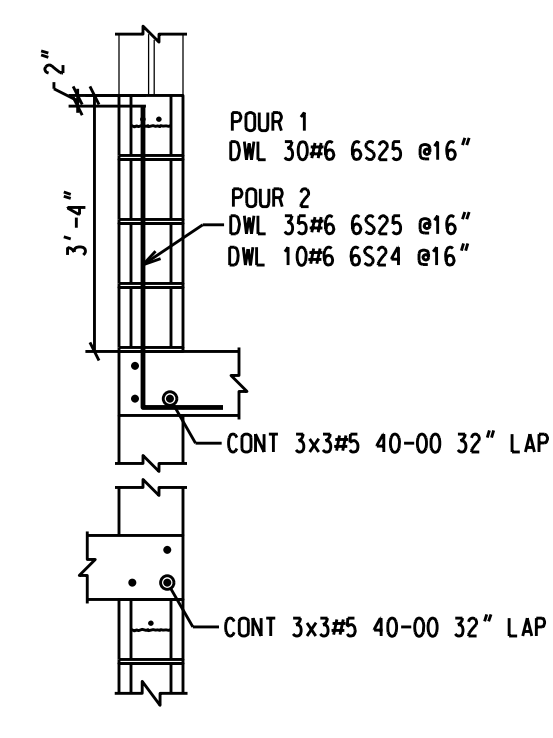
42" CONC BEAM @ LVL 2  
18/S4.02



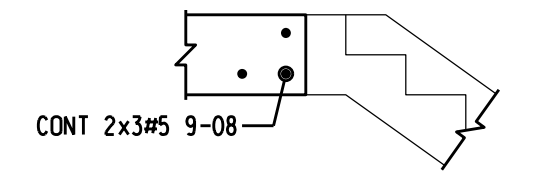
CONC WALL @ RAMP  
7/S4.02



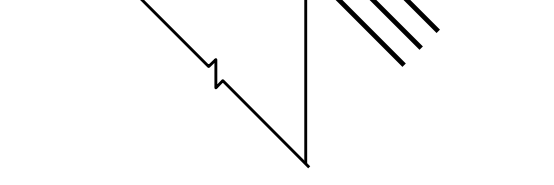
CMU WALL @ LVL 2  
9/S4.02



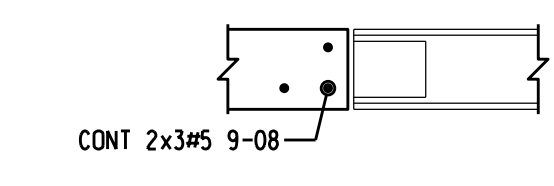
CMU WALL @ RAMP  
6/S4.02



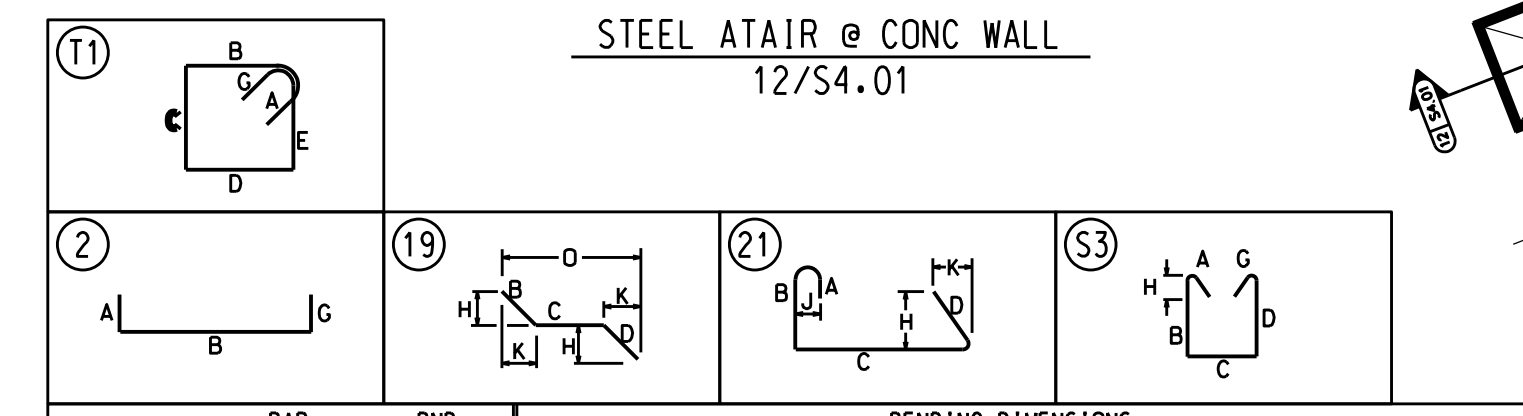
STEEL ATIR @ CONC WALL  
12/S4.01



REINF. @ RE-ENTRANT CORNERS



STEEL ATIR @ CONC WALL  
12/S4.01



SIZE	EP	BAR MARK	BND TYP	CD	A	B	C	D	E	F/R	G	H	J	K	D
7		7S20	2	1-02	29-032						1-02				
6		6S24	2	1-00	5-06										
6		6S25	2	1-00	3-09										
5		5S1	2	0-10	10-06										
5		5S2	2	0-10	11-00										
5		5S3	2	0-10	25-00										
5		5S4	2	0-10	5-06										
5		5S5	2	0-10	6-00										
5		5S7	19	0-10	6-00						0-091	0-04	6-04		
5		5S8	21		7-00	0-10					0-091	0-033			
5		5S9	2	0-10	8-00										
5		5S10	2	0-10	9-06										
5		5S11	2	0-10	8-06										
5		5S12	2	0-10	9-00										
5		5S13	2	0-10	16-00										
5		5S14	2	0-10	16-06										
5		5S15	2	0-10	7-00										
5		5S19	2	0-10	2-06										
4		4S21	2	0-08	29-032						0-08				
4		4S22	11	0-042	3-03	0-09	3-03	0-09			0-042				
4		4S23	53	0-042	1-072	0-09	1-072	0-09			0-042				
2		2S16	2	0-04	6-00										

THIS DRAWING  
REVISED  
DESTROY PREVIOUS ISSUES

FOR FILE &  
FIELD USE

TITLE 2ND LEVEL SLAB					
PROJECT					
CUSTOMER					
2	REVISED FILE AND FIELD	12/20/10	DRAWN BY RM	CHECKED BY	DATE 10/25/10
1	FILE AND FIELD	11/24/10	JOB #	DWG #	
REV	REVISION DESCRIPTION	DATE			