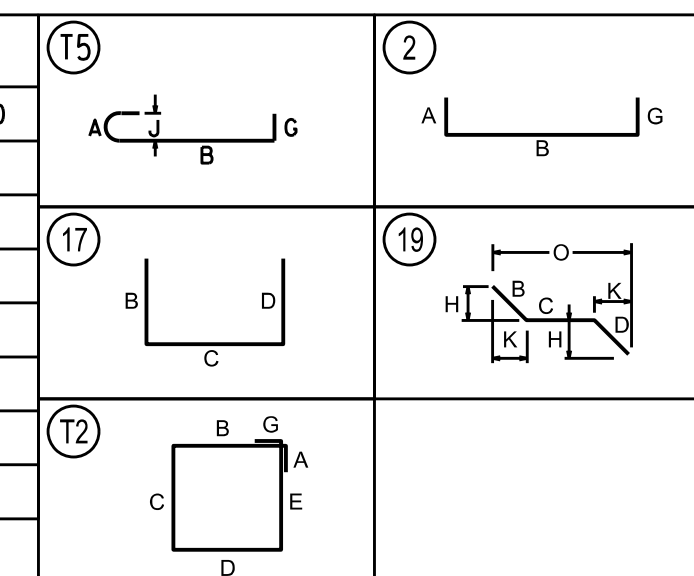


NOTE:
SEE PLANS AND SCHEDULE FOR FOOTING
SIZE AND REINFORCING

FOOTING REIN. AT INTERSECTIONS

SIZE	EP	BAR MARK	BND V TYP	CD	BENDING DIMENSIONS											⑮	②		
					A	B	C	D	E	F/R	G	H	J	K	O				
8		8F31	19			2-07	19-00							1-10		1-10	20-10		
8		8F32	17			2-04	30-06												
6		6F3	2		1-00	2-06								1-00					
6		6F130	2		1-00	10-00													
5		5F126	17			3-03	3-03												
5		5F129	2		0-10	10-00													
4		4F108	T2		0-042	2-01	1-071	2-01	1-071					0-042					
4		4F373	T5		0-06	1-00								0-042					



- NOTES:
- CLEARANCES:
3" GRADE BEAMS - ALL SIDES
3" CLEAR TO FOOTINGS
 - FRACTIONS ARE DISPLAYED IN QUARTER INCHES.
EXAMPLE: 0-041 = 4 1/4", 0-042 = 4 1/2", 0-043 = 4 3/4"
 - DETAILED FROM STRUCTURAL DWGS DATED 10/20/16.

THIS DRAWING
REVISED
DESTROY PREVIOUS ISSUES

**FOR FILE &
FIELD USE**

FIELD STOCK
5#5 20-00
10#5 5F129
10#6 6F130
CB 10#5 5F126

ALL REINFORCING BARS CONFORM
TO ASTM A615 GRADE 60 UNLESS NOTED OTHERWISE.
THIS DRAWING TO BE USED FOR REBAR PLACEMENT ONLY.

TITLE	FOUNDATION - BLDG 1
PROJECT	PLAN VIEW
CUSTOMER	
DRAWN BY	Rosemary Morales
DATE	12/11/16
JOB #	
DWG #	1RF-1A

REV	REVISION DESCRIPTION	DATE	SHEET	1 OF 4
3	REVISED FILE AND FIELD	12/20/16		
2	FILE AND FIELD	12/15/16		
1	APPROVAL WAIVED	12/9/16		

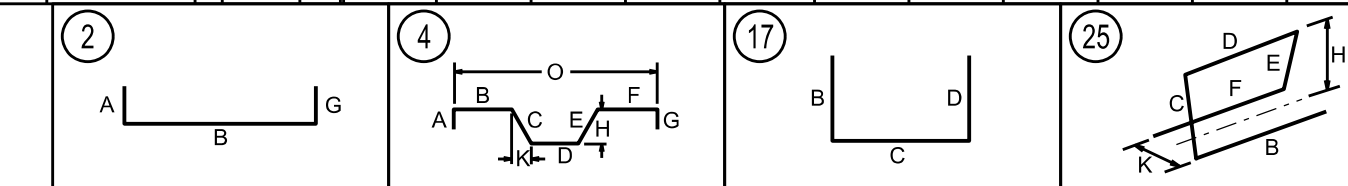
LABEL	RO	PL	QTY	PLAN LOCATION: 1RF SIZE LENGTH BARMARK	PLACING NOTES
TOP BOT STANDEE	1			Cross Ref.: 1-CF1 2x 10 7 14-06 2x 25 9 14-06 4x 4 5 5F17	 DEPTH = 40" 15'-0"
TOP BOT STANDEE	2			Cross Ref.: 1-CF2 2x 8 7 13-06 2x 23 9 13-06 4x 4 5 5F17	 DEPTH = 40" 14'-0"
TOP BOT STANDEE	3			Cross Ref.: 1-CF3 2x 8 7 12-06 2x 20 9 12-06 4x 4 5 5F18	 DEPTH = 38" 13'-0"
TOP BOT STANDEE	4			Cross Ref.: 1-CF4 2x 6 6 9-06 2x 13 8 9-06 3x 3 5 5F19	 DEPTH = 26" 10'-0"
TOP BOT STANDEE	2			Cross Ref.: 1-CF5 2x 4 5 6-06 2x 9 7 6-06 2x 2 4 4F20	 DEPTH = 18" 7'-0"
TOP BOT STANDEE	1			Cross Ref.: 1-CF6 2x 4 5 5-06 2x 8 6 5-06 2x 2 4 4F21	 DEPTH = 18" 6'-0"
TOP BOT STANDEE	1			Cross Ref.: 1-CF7 6 7 15-06 8 7 8-06 13 9 8-06 15 9 8-06 5x 3 5 5F23	LW SW LW - HK @ NORTH END SW @48" DEPTH = 30" 9'-0"

LABEL	RO	PL	QTY	PLAN LOCATION: 1RF SIZE LENGTH BARMARK	PLACING NOTES
TOP BOT STANDEE	1			Cross Ref.: 1-WF11 6 5 4-06 3 5 15-04 7 5 6-09 4 5 9-02 3 5 2-06 10 5 8-00 8 6 6F1 5 6 6F2 7 6 6F24 6 6 6F4 3 6 6F3 10 6 6F5 14 4 4F25	(A) (B) (C) (D) (E) (F) (A) (B) (C) (D) (E) (F) (A) (B) (C) (D) (E) (F) @48" DEPTH = 20" CB 4x2#6 6F368
TOP BOT STANDEE	1			Cross Ref.: 1-WF12 5 5 7-00 7 5 19-08 10 5 8-01 2 5 8-01 10 5 3-10 6 5 8-07 4 5 4-00 9 6 6F11 7 6 6F6 12 6 6F6 3 6 6F6 10 6 6F7 9 6 6F8 7 6 6F9 12 4 4F25	(A) (B) (C) (D) (E) (F) (G) (A) (B) (C) (D) (E) (F) (G) (A) (B) (C) (D) (E) (F) (G) @48" DEPTH = 20" CB 4x2#6 6F368
TOP BOT STANDEE	1			Cross Ref.: 1-WF13 2 5 4-00 8 5 19-10 4 5 9-00 16 5 6-11 6 5 6-11 3 6 6F9 12 6 6F12 7 6 6F13 16 6 6F14 9 6 6F14 14 4 4F26	(A) (B) (C) (D) (E) (F) (A) (B) (C) (D) (E) (F) (A) (B) (C) (D) (E) (F) @48" DEPTH = 24" CB 2x2#6 6F368
TOP BOT STANDEE	1			Cross Ref.: 1-WF15 2 6 13-06 2 6 13-06 6 6 5-06 8 6 5-06 6 6 5-06 2 8 8F15 2 8 8F15 6 7 7F16 6 7 7F16 6 7 7F16 8 4 4F27	(A) (B) (C) (D) (E) (F) (A) (B) (C) (D) (E) (F) (A) (B) (C) (D) (E) (F) @48" DEPTH = 24" CB 2x2#6 6F368
TOP BOT STANDEE	1			Cross Ref.: 1-WF17 2 6 9-06 2 6 6F28 2 6 13-06 6 6 5-06 8 6 5-06 6 6 5-06 2 8 8F29 2 8 8F30 2 8 8F15 6 7 7F16 6 7 7F16 6 7 7F16 8 4 4F27	(A) (B) (C) (D) (E) (F) (A) (B) (C) (D) (E) (F) (A) (B) (C) (D) (E) (F) @48" DEPTH = 24" CB 4x2#6 6F368

LABEL	RO	PL	QTY	PLAN LOCATION: 1RF SIZE LENGTH BARMARK	PLACING NOTES
TOP BOT STANDEE	1			Cross Ref.: 1-WF19 2 6 13-06 3 6 13-06 6 6 5-06 6 6 5-06 6 6 5-06 2 8 8F15 2 8 8F15 6 7 7F16 6 7 7F16 6 7 7F16 8 4 4F27	(A) (B) (C) (D) (E) (F) (A) (B) (C) (D) (E) (F) (A) (B) (C) (D) (E) (F) @48" DEPTH = 24"
TOP BOT STANDEE	1			Cross Ref.: 1-WF21 6 5 6-00 3 5 5-02 6 5 4-06 4 5 9-02 4 5 2-09 9 6 0-00 5 6 6F33 5 6 6F34 8 6 6F1 6 6 6F35 4 6 6F36 9 6 6F5 14 4 4F25	(A) (B) (C) (D) (E) (F) (A) (B) (C) (D) (E) (F) (A) (B) (C) (D) (E) (F) @48" DEPTH = 20" CB 4x2#6 6F368
TOP BOT STANDEE	1			Cross Ref.: 1-WF22 6 5 18-10 5 5 6-06 6 5 6-10 10 5 2-06 5 5 3-06 3 5 6-10 6 6 6F37 9 6 6F38 12 6 6F39 10 6 6F3 5 6 6F40 5 6 6F39 12 4 4F25	(A) (B) (C) (D) (E) (F) (A) (B) (C) (D) (E) (F) (A) (B) (C) (D) (E) (F) @48" DEPTH = 20" CB 4x2#6 6F368
TOP BOT STANDEE	1			Cross Ref.: 1-WF23 6 5 3-06 6 5 18-10 5 5 2-06 10 5 8-09 10 5 6-10 6 6 6F40 6 6 6F37 8 6 6F41 10 6 6F3 14 6 6F42 10 6 6F39 12 4 4F25	(A) (B) (C) (D) (E) (F) (A) (B) (C) (D) (E) (F) (A) (B) (C) (D) (E) (F) @48" DEPTH = 20" CB 4x2#6 6F368
TOP BOT STANDEE	1			Cross Ref.: 1-WF28 8 5 6-10 5 5 3-06 10 5 2-06 3 5 5-00 3 5 5-10 5 5 18-04 6 6 6F39 7 6 6F40 10 6 6F3 4 6 6F43 6 6 6F44 5 6 6F45 12 4 4F21	(A) (B) (C) (D) (E) (F) (A) (B) (C) (D) (E) (F) (A) (B) (C) (D) (E) (F) @48" DEPTH = 24" CB 4x2#6 6F368

TOP #5 6-10 (A)
BOT #6 6F39 (A)

SIZE	EP	BAR MARK	BND TYP	CD	BENDING DIMENSIONS														
					A	B	C	D	E	F/R	G	H	J	K	O				
9	9F22	2	1-07	15-06															
8	8F15	2	1-04	13-06															
8	8F29	4	1-04	8-081	3-032											2-04			11-001
8	8F30	2	1-04	11-05															
7	7F16	2	1-02	5-06															
6	6F1	2	1-00	4-06															
6	6F2	2	1-00	15-04															
6	6F3	2	1-00	2-06															
6	6F4	2	1-00	9-02															
6	6F5	2	1-00	8-00															
6	6F6	2	1-00	8-01															
6	6F7	2	1-00	3-10															
6	6F8	2	1-00	8-07															
6	6F9	2	1-00	4-00															
6	6F10	2	1-00	19-073															
6	6F11	2	1-00	7-00															
6	6F12	2	1-00	19-102															
6	6F13	2	1-00	9-00															
6	6F14	2	1-00	6-11															
6	6F24	2	1-00	6-09															
6	6F28	17		2-04	6-052														
6	6F33	2	1-00	6-00															
6	6F34	2	1-00	15-013															
6	6F35	2	1-00	9-022															
6	6F36	2	1-00	2-09															
6	6F37	2	1-00	18-102															
6	6F38	2	1-00	6-06															
6	6F39	2	1-00	6-10															
6	6F40	2	1-00	3-06															
6	6F41	2	1-00	7-06															
6	6F42	2	1-00	8-09															
6	6F43	2	1-00	5-00															
6	6F44	2	1-00	5-10															
6	6F45	2	1-00	18-04															
6	6F368	17		3-03	3-03														
5	5F17	25		1-06	2-062	0-10	2-062	1-06							2-052				1-023
5	5F18	25		1-06	2-042	0-10	2-042	1-06							2-032				1-013
5	5F19	25		1-06	1-042	0-10	1-042	1-06							1-04				0-08
5	5F23	25		1-06	1-08	0-10	1-08	1-06							1-072				0-093
4	4F20	25		1-06	0-083	0-08	0-083	1-06							0-082				0-041
4	4F21	25		1-06	0-09	0-08	0-09	1-06							0-083				0-042
4	4F25	25		1-06	0-11	0-08	0-11	1-06							0-103				0-052
4	4F26	25		1-06	1-031	0-08	1-031	1-06							1-023				0-072
4	4F27	25		1-06	1-022	0-08	1-022	1-06							1-02				0-07



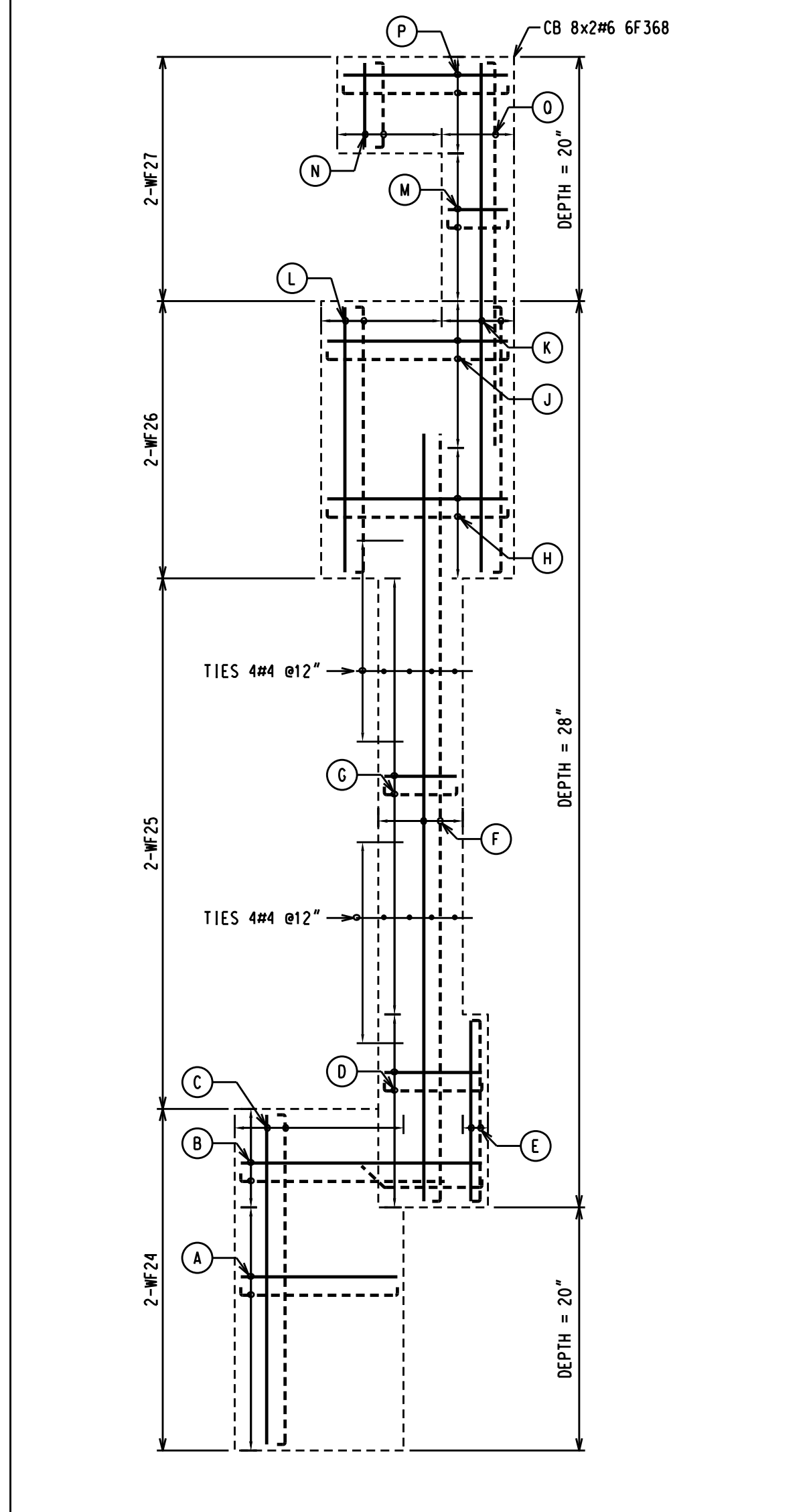
- NOTES:
- CLEARANCES:
2" TO EDGE OF SLAB
3/4" TOP & BOTTOM OF SLAB
1/2" TO BEAM & COLUMN TIES
3" CLEAR TO FOOTINGS
 - FRACTIONS ARE DISPLAYED IN QUARTER INCHES.
EXAMPLE: 0-041 = 4 1/4", 0-042 = 4 1/2", 0-043 = 4 3/4"
 - DETAILED FROM STRUCTURAL DWGS DATED 10/20/16.

ALL REINFORCING BARS CONFORM TO ASTM A615 GRADE 60 UNLESS NOTED OTHERWISE. THIS DRAWING TO BE USED FOR REBAR PLACEMENT ONLY.

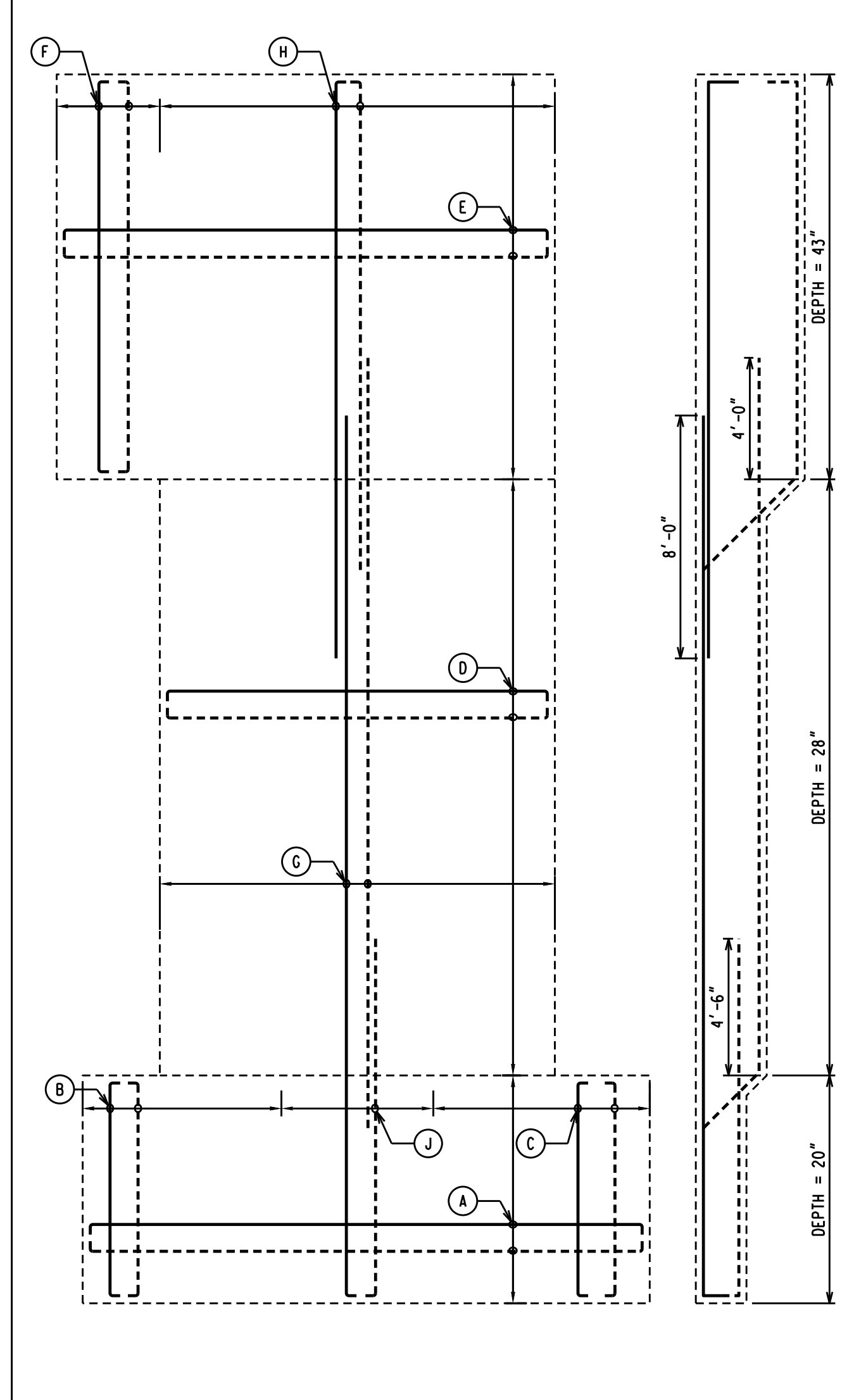
FOR FILE & FIELD USE

TITLE	FOUNDATION - BLDG 1
PROJECT	SCHEDULES
CUSTOMER	
DRAWN BY	Rosemary Morales
DATE	12/15/16
JOB #	
DWG #	1RF-1B
REV	REVISION DESCRIPTION
2	FILE AND FIELD
1	APPROVAL WAIVED
	DATE
	SHEET 2 OF 4

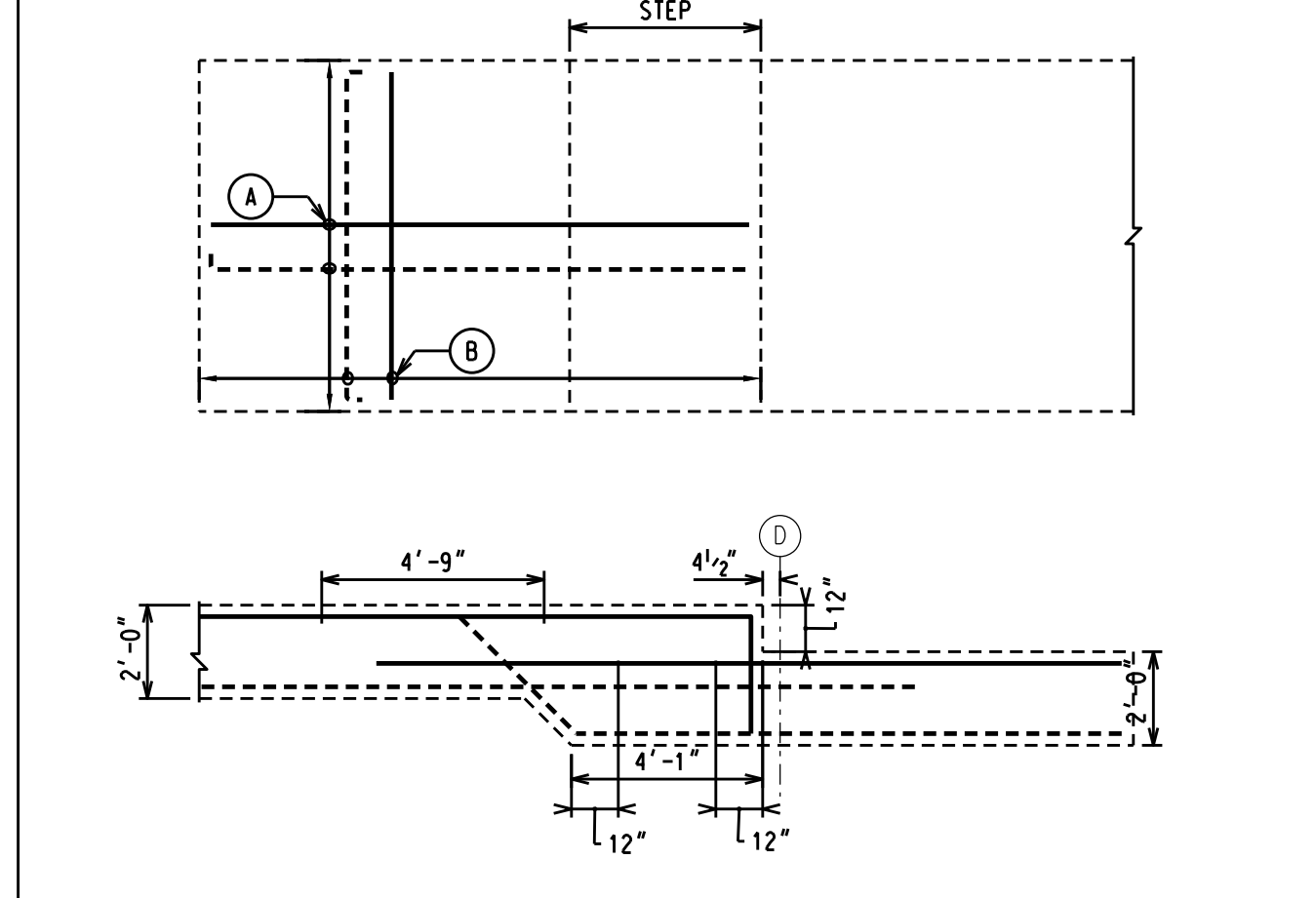
LABEL	RO	PL	QTY	PLAN LOCATION: 1RF	SIZE	LENGTH	BARMARK	PLACING NOTES
1 — Cross Ref.: 1-WF24								
TOP			8	5	6-06		6F58	(A)
TOP			5	5	10-00		6F11	(B)
TOP			5	5	13-08		6F11	(C)
TOP			5	5	4-00		6F58	(D)
TOP			2	5	7-06		6F58	(E)
BOT			12	6		6F38	(F)	
BOT			5	6		6F47	(G)	
BOT			5	6		6F369	(H)	
BOT			8	6		6F48	(I)	
BOT			6	6		6F49	(J)	
BOT			6	6		6F41	(K)	
STANDEE			8	4	4F25		4F25	Ø48"
1 — Cross Ref.: 1-WF25								
TOP			6	9	32-00		6F11	(L) Ø8"
TOP			30	6	3-00		6F11	(M) Ø8"
BOT			6	9		9F50	9F50	(N) Ø12"
TIES	10x		4	4		4F292	4F292	Ø12"
TIES	10x		4	4		4F292	4F292	Ø12"
STANDEE			8	5	5F53		5F53	Ø48"
1 — Cross Ref.: 1-WF26								
TOP			4	5	7-06		6F41	(O)
TOP			3	5	7-06		6F41	(P)
TOP			6	7	21-01		6F41	(Q)
BOT			7	5	11-00		6F41	(R)
BOT			5	6		6F41	6F41	(S)
BOT			6	7		7F54	7F54	(T)
BOT			8	6		6F55	6F55	(U)
STANDEE			12	5	5F56		5F56	Ø48"
1 — Cross Ref.: 1-WF27								
TOP			7	5	2-06		6F3	(V)
TOP			4	5	3-06		6F3	(W)
TOP			7	6	5-10		6F3	(X)
BOT			6	6		6F40	6F40	(Y)
BOT			7	6		6F39	6F39	(Z)
BOT			6	7		7F57	7F57	(AA)
STANDEE			8	4	4F25		4F25	Ø48"



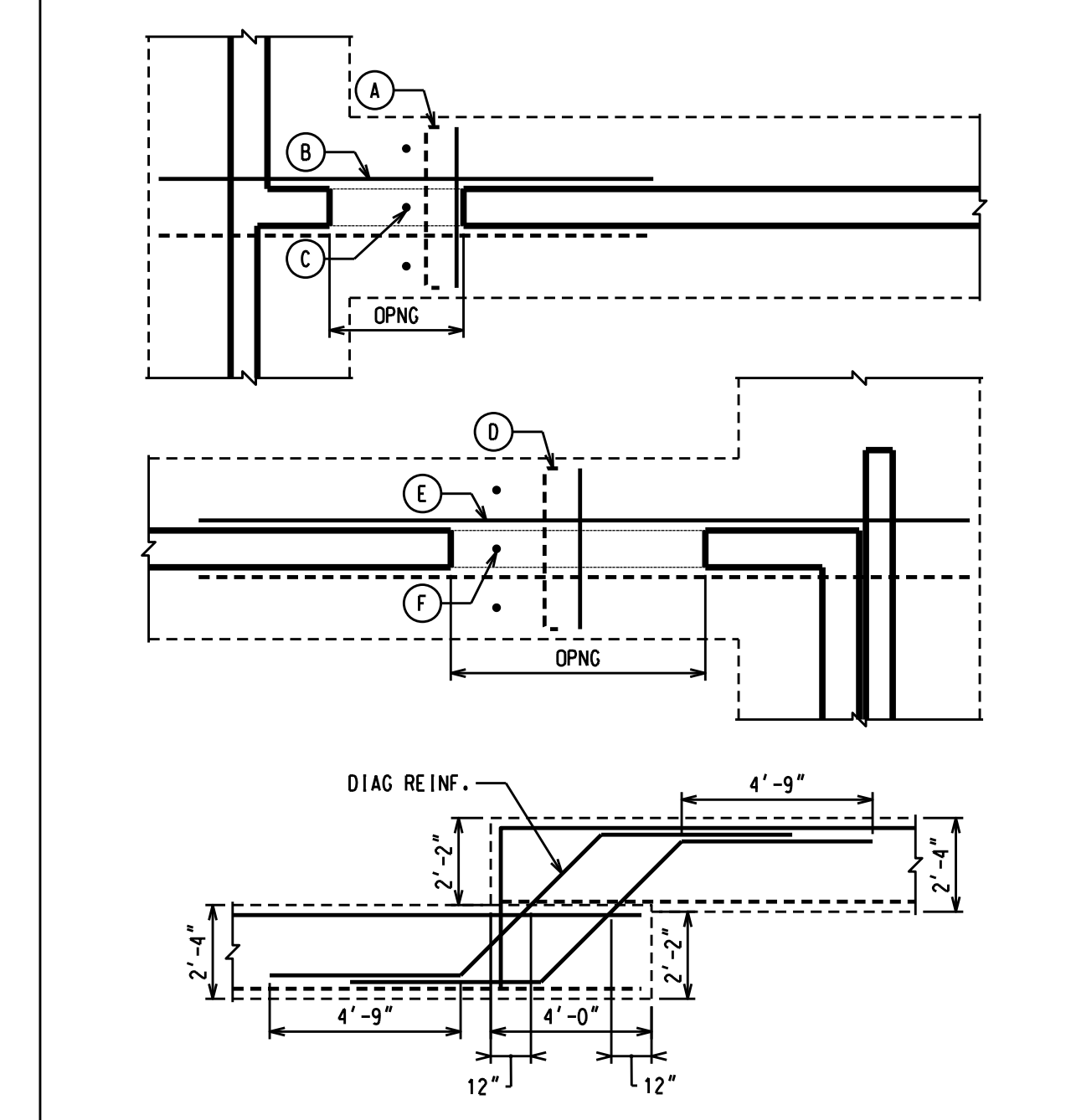
LABEL	RO	PL	QTY	PLAN LOCATION: 1RF	SIZE	LENGTH	BARMARK	PLACING NOTES
1 — Cross Ref.: 1-WF29								
TOP			6	6		6F58	6F58	(A)
TOP			6	6		6F11	6F11	(B)
TOP			6	6		6F11	6F11	(C)
TOP			22	6		6F58	6F58	(D)
TOP			12	8		8F60	8F60	(E)
TOP			3	8		8F61	8F61	(F)
TOP			10	6		6F52	6F52	(G)
TOP			22	10		10F63	10F63	(H)
BOT			10	7		7F64	7F64	(I)
BOT			12	8		8F65	8F65	(J)
BOT			10	8		8F65	8F65	(K)
BOT			22	7		7F110	7F110	(L)
BOT			16	9		9F67	9F67	(M)
BOT			3	10		10F68	10F68	(N)
BOT			15	7		7F70	7F70	(O)
BOT			20	10		10F71	10F71	(P)
BOT			5	8		8F111	8F111	(Q)
BOT			10	4		4F72	4F72	Ø48"
STANDEE			24	5		5F73	5F73	Ø48"
STANDEE			20	5		5F74	5F74	Ø48"



LABEL	RO	PL	QTY	PLAN LOCATION: 1RF	SIZE	LENGTH	BARMARK	PLACING NOTES
1 — Cross Ref.: 1-WF1								
TOP			8	6	40-00		6F131	LW - LAP W/ LW - LAP 56"
TOP			8	6	16-00		6F131	LW - LAP W/ LW - LAP 43"
TOP			94	6	7-00		6F11	SW Ø8"
BOT			10	6	40-00		6F132	LW - LAP W/ LW - LAP 43"
BOT			10	6	20-00		6F11	LW - LAP W/ LW - LAP 43"
BOT			94	6		6F11	SW Ø8"	
STANDEE	16x		2	4	7-00		4F81	Ø48"
TOP			8	6	11-06		7F83	(A)
BOT			12	7		7F83	(B)	
BOT			13	9		9F84	(C)	



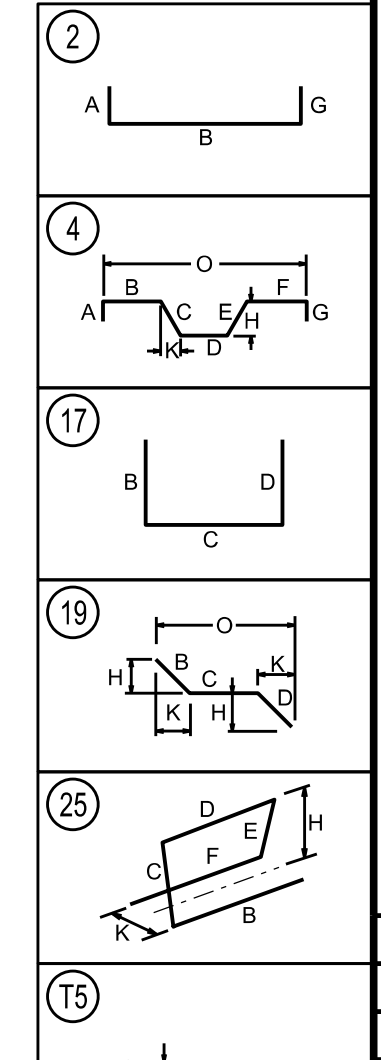
LABEL	RO	PL	QTY	PLAN LOCATION: 1RF	SIZE	LENGTH	BARMARK	PLACING NOTES
1 — Cross Ref.: 1-WF2								
TOP			6	6	20-00		6F112	(A)
TOP			20	6	5-06		6F113	(B)
BOT			8	6	20-00		6F113	(C)
BOT			40	6		6F113	6F113	(D)
STANDEE			4x	2	4	4F81	4F81	Ø48"
1 — Cross Ref.: 1-WF3								
TOP			4	5	5F122		5F122	(A)
TOP			40	5	4-06		6F123	(B)
BOT			6	6		6F1	6F1	(C)
BOT			40	6		6F1	6F1	(D)
STANDEE			8x	2	4	4F25	4F25	Ø48"
1 — Cross Ref.: 1-WF4-A								
TOP			6	6		6F112	6F112	(A)
TOP			6	6		6F113	6F113	(B)
BOT			6	6	4-00		6F114	(C)
BOT			6	6		6F113	6F113	(D)
BOT			112	6		6F9	6F9	(E)
STANDEE	2x		6	5		5F77	5F77	Ø48"
STANDEE	14x		2	5		5F77	5F77	Ø48"
TOP			8	6	4-00		6F9	(A) Ø6"
TOP			2	8	12-00		6F9	(B) ADD'L
BOT			7	8	12-00		6F9	(C) ADD'L
TIES	3x		5	4		4F292	4F292	(D) Ø12"
TOP			8	6	4-00		6F9	(E) Ø12"
TOP			8	6	18-00		6F9	(F) Ø12"
BOT			2	8	18-00		6F9	(G) Ø12"
BOT			3x	8	4	4F292	4F292	(H) Ø12"
TIES								(I) Ø12"



LABEL	RO	PL	QTY	PLAN LOCATION: 1RF	SIZE	LENGTH	BARMARK	PLACING NOTES
1 — Cross Ref.: 1-WF4-B								
TOP			6	6		6F133	6F133	(A)
TOP			6	6		6F134	6F134	(B)
TOP			35	6	4-06		6F135	(C) Ø12"
BOT			6	6	23-00		6F135	(D) Ø12"
BOT			66	6		6F1	6F1	(E) Ø6"
BOT			3	4		4F370	4F370	(F) 3#12" UNDER OPNG
TIES	3x		3	4		4F371	4F371	(G) 3#12" UNDER OPNG
TIES			3	4		4F372	4F372	(H) 3#12" UNDER OPNG
TOP			10	10	17-00		ADD'L @ CNTR OF OPNG	
BOT			10	10	15-00		ADD'L @ CNTR OF OPNG	
STANDEE	2x		3	8		5F77	5F77	Ø48"
TOP			3	7		7F140	7F140	(I)
TOP			2	7		7F141	7F141	(J)
TOP			30	5	4-06		7F142	(K) Ø8"
TOP			12	5	2-05		7F142	(L) Ø8"
BOT			2	5		7F142	7F142	(M)
BOT			5	7	23-02		6F1	(N) Ø8"
BOT			5	7	16-02		6F1	(O) Ø8"
BOT			26	6		6F143	6F143	(P) Ø8"
BOT			12	6		6F143	6F143	(Q) Ø8"
STANDEE	2x		7	4	4F26		4F26	Ø48"

REFER TO 1RF-1D FOR REINFORCEMENT SECTIONS FOR REINFORCEMENT PLACEMENT

LABEL	RO	PL	QTY	PLAN LOCATION: 1RF	SIZE	LENGTH	BARMARK	PLACING NOTES
1 — Cross Ref.: 1-WF5								
TOP			3	5	5F119		5F119	(A)
TOP			20	5	3-06		5F119	(B)
BOT			36	5		5F85	5F85	(C)
BOT			7	4	4F78		4F78	(D)
STANDEE								(E)
1 — Cross Ref.: 1-WF6A								
TOP			6	6		6F120	6F120	(A)
TOP			70	5		5F76	5F76	(B)
BOT			6	7		7F121	7F121	(C)
BOT			70	6		6F3	6F3	(D)
TIES	3x		4	4		4F292	4F292	Ø12"
TIES	3x		4	4		4F292	4F292	Ø12"
STANDEE			8	5	5F77		5F77	Ø48"
1 — Cross Ref.: 1-WF6-A								
TOP			2	5	5F124		5F124	(A)
TOP			9	5	2-06		5F124	(B)
BOT			5	5		5F76	5F76	(C)
BOT			16	5		5F76	5F76	(D)
BOT			2	4	4F78		4F78	(E)
STANDEE								(F)

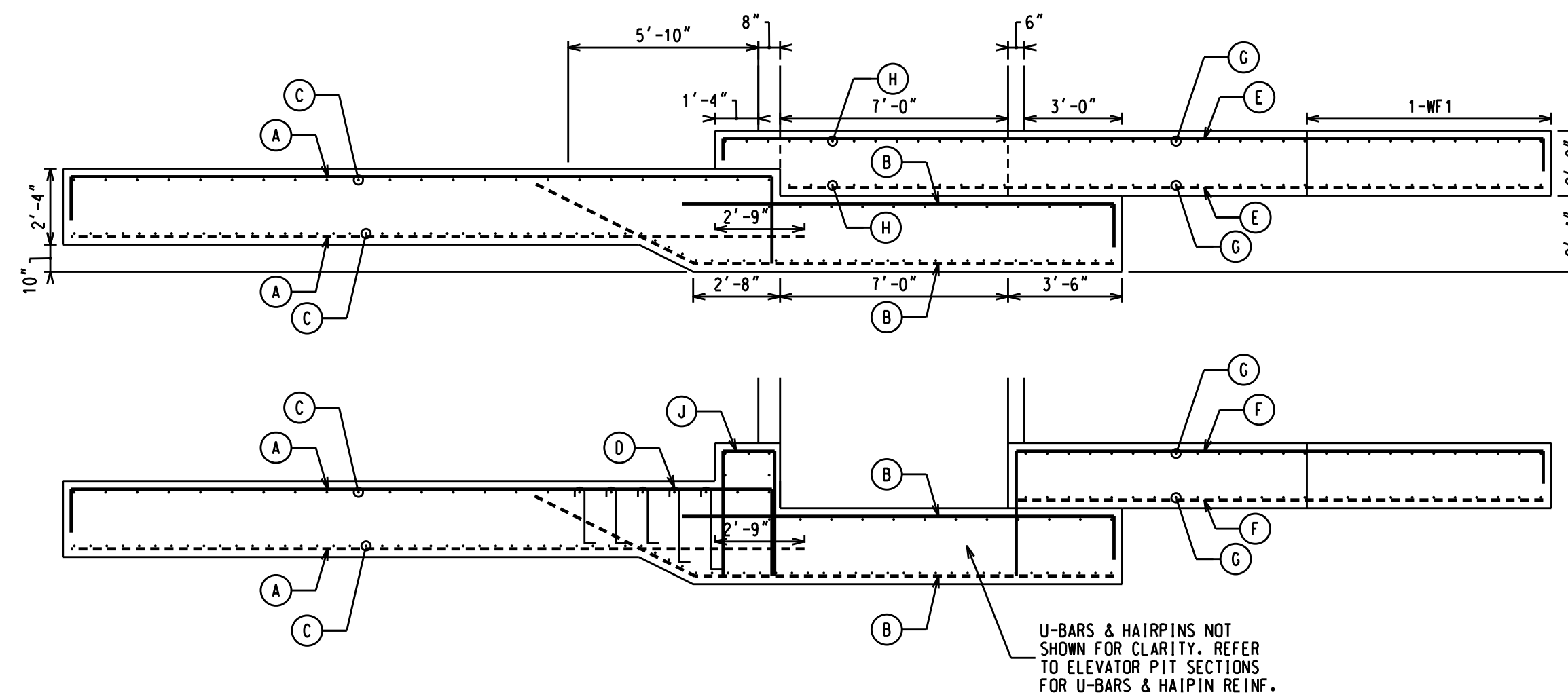
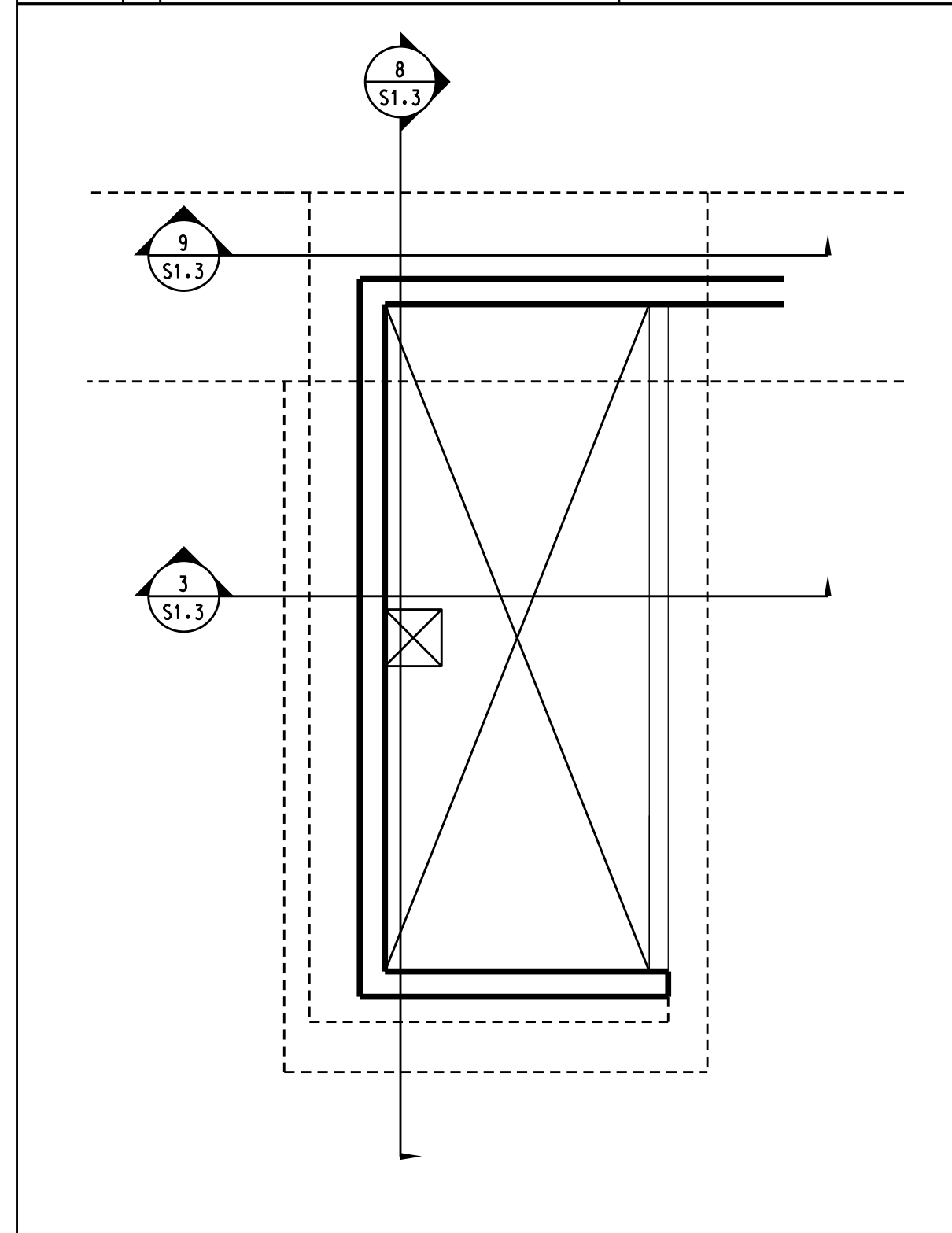


FOR FILE & FIELD USE

SIZE	EP	BAR MARK	BND V	TYP CD	A	B	C	D	E	F/R	G	H	J	K	O
10		10F63		2	1-10	20-02									
10		10F68		2	1-10	12-10							1-10		
10		10F71		4	1-10	12-113	4-041							3-01	3-01 16-003
9		9F50		2	1-07	32-00									
9		9F67		2	1-07	15-103							1-07		
9		9F84		2	1-07	11-06									
8		8F60		2	1-04	15-103							1-04		
8		8F61													

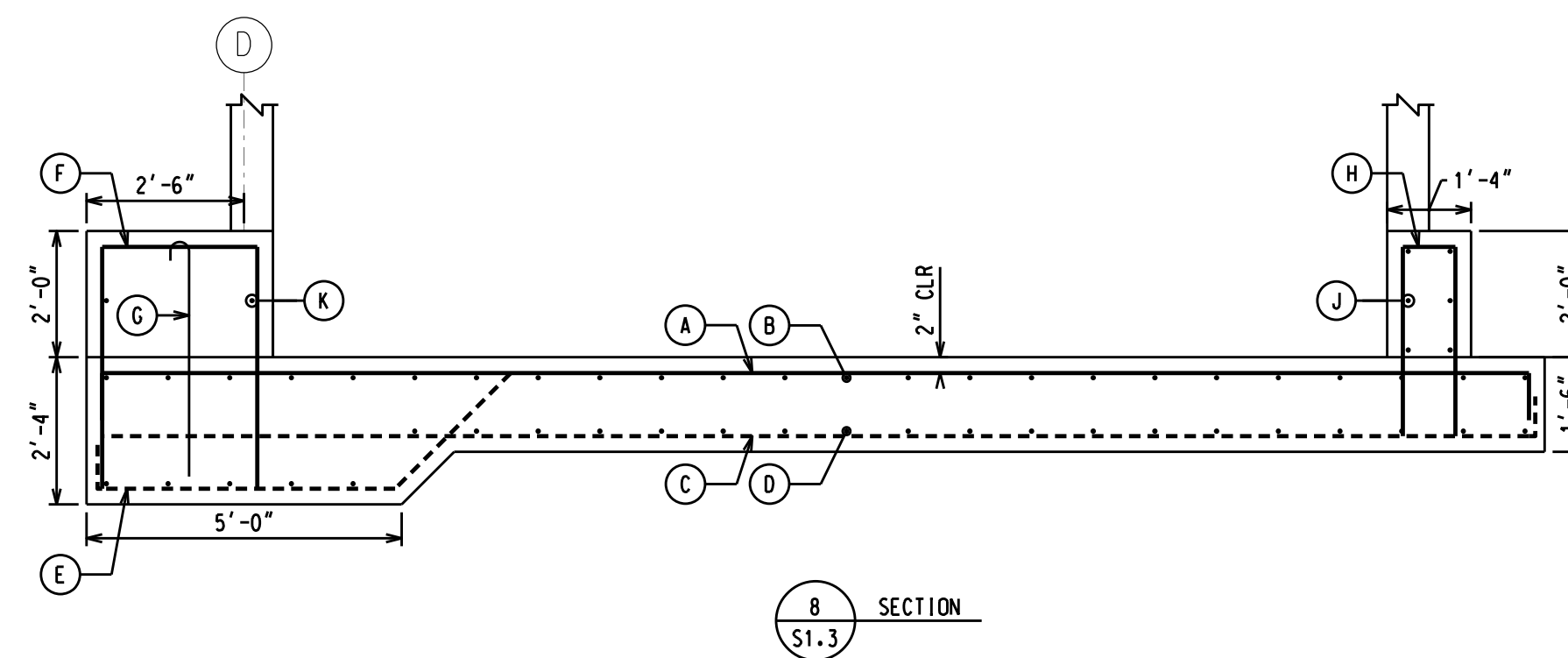
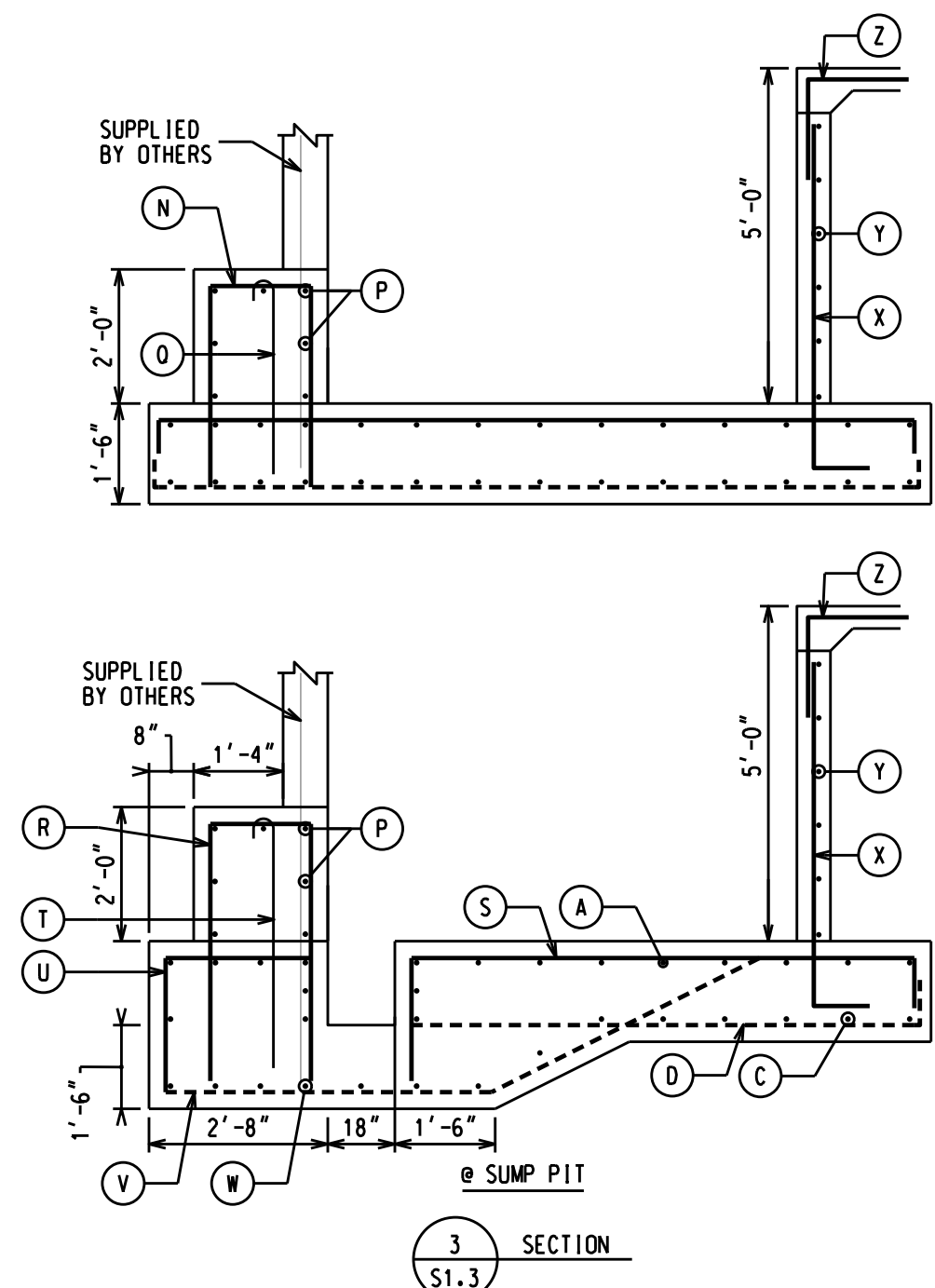
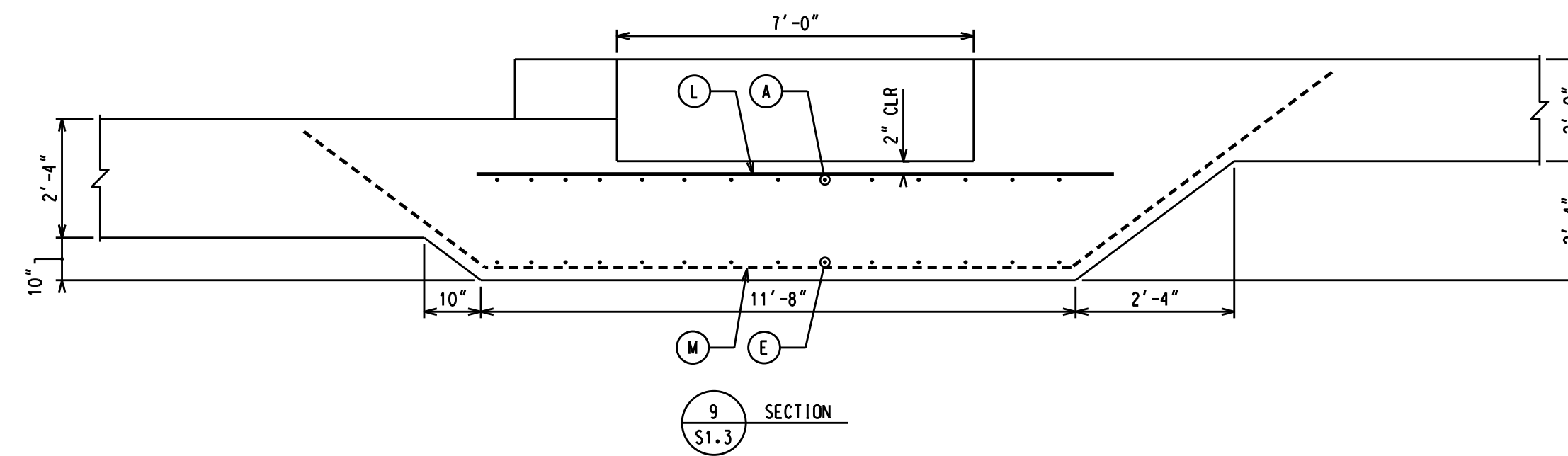
LABEL	RO	PL	QTY	PLAN LOCATION: 1RF			PLACING NOTES
				SIZE	LENGTH	BARMARK	
Cross Ref.: 1-WF6-B							
TOP		2	5	5F125		LW	SW @16"
TOP		10	5	2-06	5F125	LW	SW @16"
BOT		5	5	5F125		LW	SW @8"
BOT		20	5	5F76		LW	SW @8"
STANDEE		3	4	4F78		SW @8"	
CB		2	5	5F126		1/2 T&B	
Cross Ref.: 1-WF6-C							
TOP		2	5	5F127		LW	SW @16"
TOP		28	5	2-06	5F127	LW	SW @16"
BOT		5	5	5F127		LW	SW @8"
BOT		54	5	5F76		LW	SW @8"
STANDEE		10	4	4F78		SW @8"	
Cross Ref.: 1-WF6-D							
TOP		2	5	5F128		LW	SW @16"
TOP		18	5	2-06	5F128	LW	SW @16"
BOT		5	5	5F128		LW	SW @8"
BOT		32	5	5F76		LW	SW @8"
STANDEE		6	4	4F78		SW @8"	

LABEL	RO	PL	QTY	PLAN LOCATION: 1RF			PLACING NOTES
				SIZE	LENGTH	BARMARK	
Cross Ref.: ELEV PIT							
TOP		15	6	6F144	(A) @12"		
TOP		2	6	6F357	(A) @12" - @ SUMP PIT		
TOP		2	6	6F358	(A) @12" - @ SUMP PIT		
TOP		20	6	6F145	(B) @12"		
BOT		15	6	6F144	(C) @12"		
BOT		20	6	6F145	(D) @12"		
BOT		15	6	6F360	(E) @12"		
U-BAR		15	5	5F147	(F) @12"		
HAIKPIN		15	5	5F361	(G) @12"		
U-BAR		16	5	5F149	(H) @12"		
CONT	3x	2	4	9-00	(J)		
CONT		2	6	10-00	(K)		
TOP		6	6	15-00	(L) @12"		
BOT		6	6	6F150	(M) @12"		
U-BAR		48	6	6F151	(N) @6"		
CONT		7	6	21-05	(P)		
HAIKPIN		48	6	6F152	(O) @12"		
U-BAR		10	6	6F362	(R) @6"		
TOP		2	6	6F363	(S) @12"		
HAIKPIN		10	6	6F364	(T) @6"		
TOP		3	6	6F365	(U) @12"		
BOT		7	6	6F359	(V) @12"		
BOT		7	6	6F366	(W) @12"		
VERT		20	5	5F159	(X) @12"		
HORZ		6	4	17-04	(Y) @12"		
L-BAR		10	3	3F355	(Z) @24"		
STANDEE	3x	7	4	4F162	@48"		
STANDEE	2x	3	5	5F23	@48"		

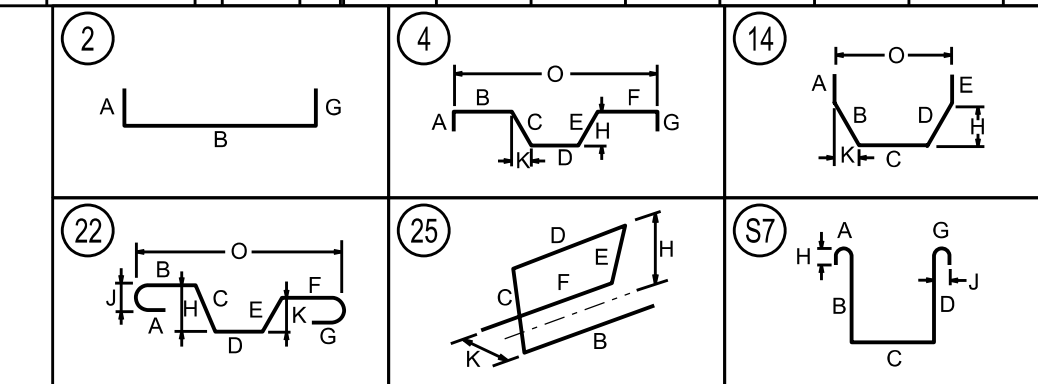


REFER TO 1RF-1C FOR 1-WF4-B REINF SCHEDULE

1-WF4-B REBAR PLACEMENT



SIZE	EP	BAR MARK	BND V	TYP	CD	BENDING DIMENSIONS														
						A	B	C	D	E	F/R	G	H	J	K	O				
6		6F144		2		1-00	22-072							1-00						
6		6F145		2		1-00	11-02							1-00						
6		6F150		22				3-091	11-052	5-05						2-08		3-10	17-112	
6		6F151		17				3-00	1-06	3-00										
6		6F152		S7		0-08	2-101													
6		6F161		17				4-00	4-00											
6		6F357		17				1-00	10-04	2-03										
6		6F358		17				1-10	10-072	2-03										
6		6F359		4		1-00	5-041	5-001							3-062		3-062	8-103		
6		6F360		4		1-00	4-073	2-07							1-10		1-10	6-053		
6		6F362		17				4-03	1-06	4-03										
6		6F363		17				1-00	7-00	2-03										
6		6F364		S7		0-08	4-03													
6		6F365		17				2-03	2-02	2-03										
6		6F366		14				5-001	4-042	5-001					2-031		4-053	13-033		
5		5F23		25				1-06	1-08	0-10	1-08	1-06		1-072				0-093		
5		5F76		2		0-10	2-06							0-10						
5		5F125		2		0-10	11-112							0-10						
5		5F126		17				3-03	3-03											
5		5F127		2		0-10	35-022													
5		5F128		2		0-10	20-072							0-10						
5		5F147		17				3-10	2-052	3-10										
5		5F149		17				3-00	0-10	3-00										
5		5F159		2		0-10	5-05													
5		5F361		S7		0-07	3-081													
4		4F78		25				1-06	0-092	0-08	0-092	1-06		0-091				0-043		
4		4F162		25				1-06	0-093	0-08	0-093	1-06		0-092				0-043		
3		3F355		17				3-00	3-00											



NOTES:

- CLEARANCES:
2" TO EDGE OF SLAB
3/4" TOP & BOTTOM OF SLAB
1 1/2" TO BEAM & COLUMN TIES
3" CLEAR TO FOOTINGS
- FRACTIONS ARE DISPLAYED IN QUARTER INCHES.
EXAMPLE: 0-041 = 4 1/4", 0-042 = 4 1/2", 0-043 = 4 3/4"
- DETAILED FROM STRUCTURAL DWGS DATED 10/20/16.

ALL REINFORCING BARS CONFORM TO ASTM A615 GRADE 60 UNLESS NOTED OTHERWISE. THIS DRAWING TO BE USED FOR REBAR PLACEMENT ONLY.

FOR FILE & FIELD USE

TITLE	FOUNDATION - BLDG 1
PROJECT	SCHEDULES
CUSTOMER	
DRAWN BY	Rosemary Morales
DATE	12/11/16
JOB #	
DWG #	1RF-1D

2	FILE AND FIELD	12/15/16
1	APPROVAL WAIVED	12/9/16
REV	REVISION DESCRIPTION	DATE