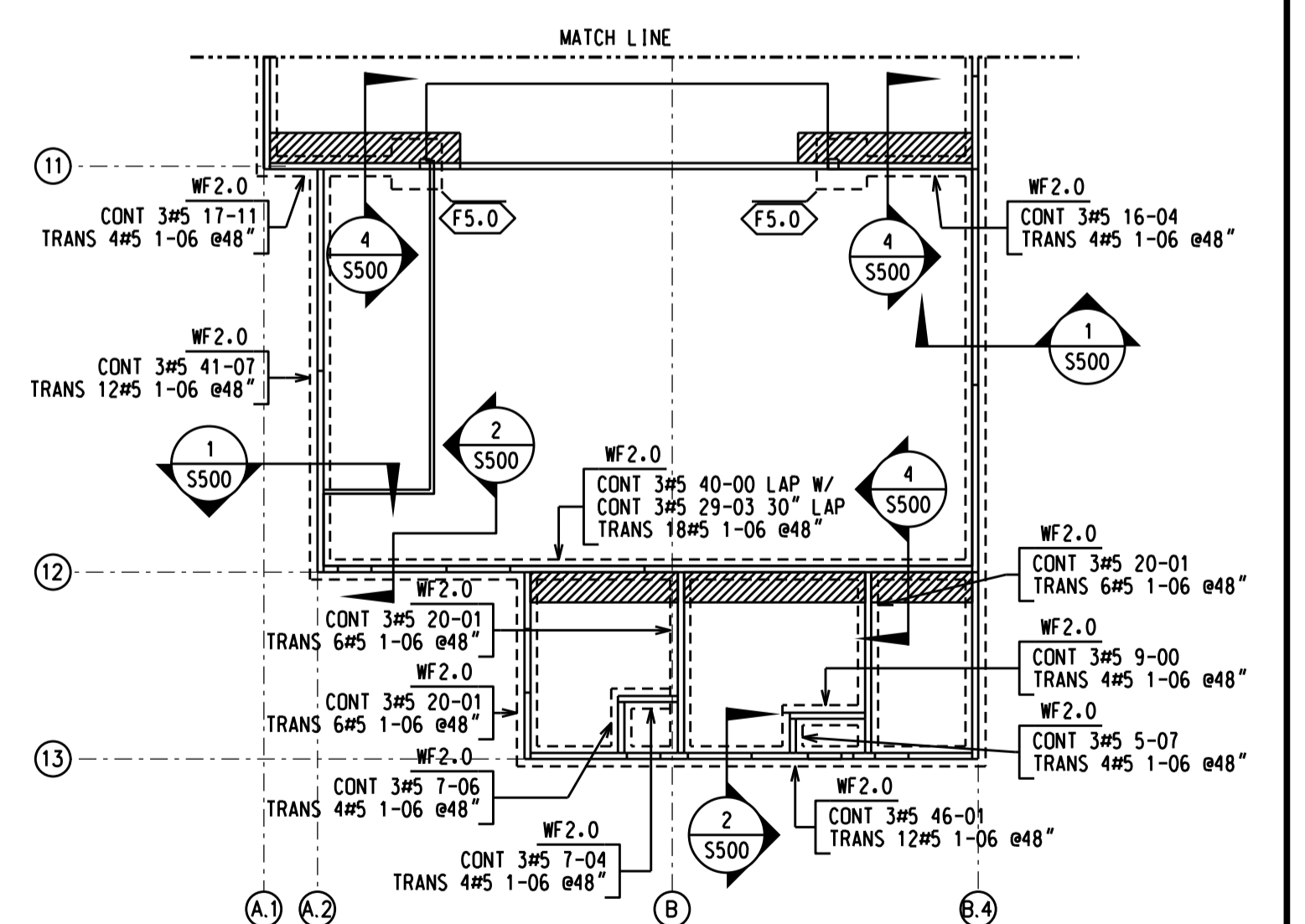
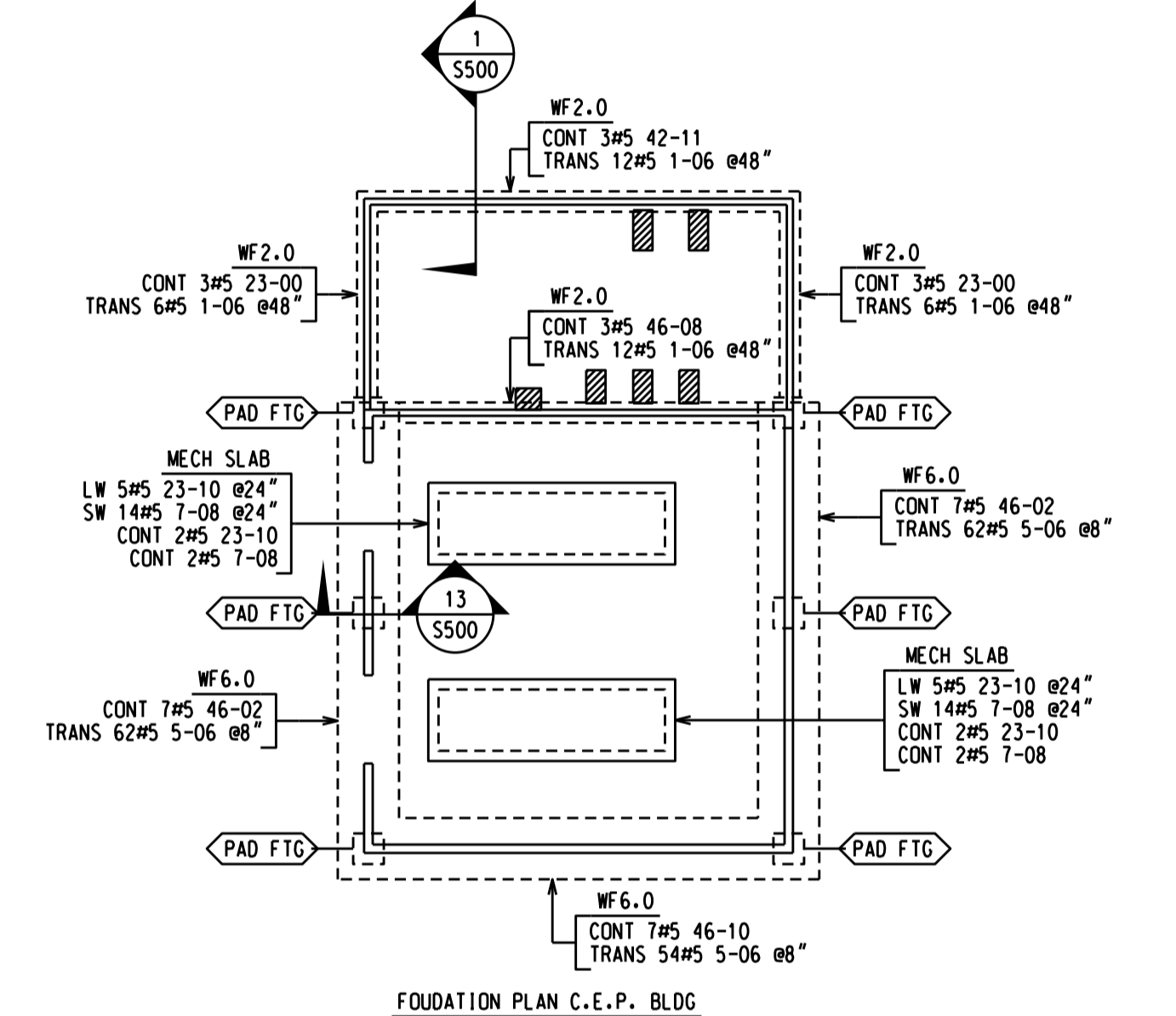
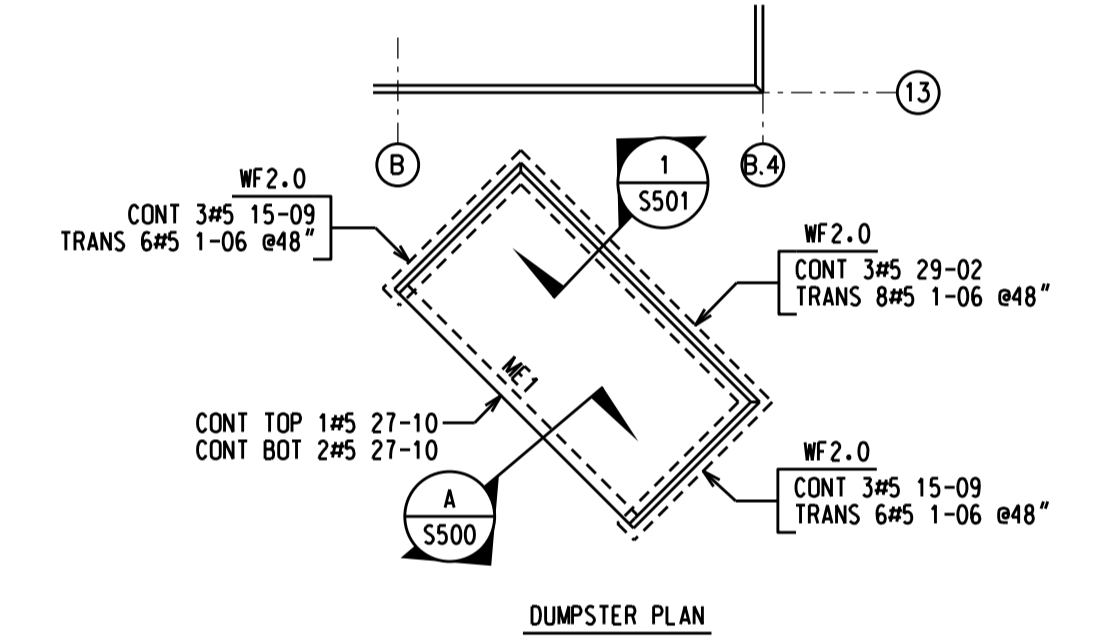


SIZE	EP	BAR MARK	V	BND TYP	CD	A	B	C	D	BENDING DIMENSIONS									
										E	F/R	G	H	J	K	O			
5	5	5F1	2	2	0-10	3-06													
5	5	5F2	2	0-10	17-05														
5	5	5F5	2	0-10	4-05														
5	5	5F7	LAS	0-10	1-111	2-092	2-072	3-00						1-101		1-101			
5	5	5F8	19	1-05	4-00									1-00		1-00	5-00		
5	5	5F10	4	0-10	2-013	4-00								3-103		0-11	3-003		
5	5	5F14	2	0-10	2-063								0-10						
5	5	5F15	14	1-03	6-021	4-00								6-001		1-051	5-051		
5	5	5F16	2	0-10	4-06														
5	5	5F17	2	0-10	5-06														
5	5	5F19	17		2-06	2-06													
5	5	5F20	19		2-06	2-06								1-091		1-091	4-031		
5	5	5F21	19		2-06	2-06								2-05		0-073	3-013		
5	5	5F22	19		2-06	2-06								0-073		2-05	4-11		
5	5	5F23	2	0-10	3-03														
5	5	5F24	2	0-10	4-03														
5	5	5F28	17		2-06	4-06													
5	5	5F29	17		2-06	5-06													
5	5	5F30	17		2-06	7-06													
5	5	5F33	2	0-10	3-011														
5	5	5F34	2	0-10	3-00														
4	4	4F4	S10		2-00	2-00													
4	4	4F9	17		1-02	2-09													
4	4	4F27	2	0-08	2-06														
4	4	4F32	17		2-06	2-06													
4	4	4F35	25		1-06	0-093	0-08	0-093	1-06					0-092		0-043			
3	3	3F3	T3	0-05	3-043									0-072			1-01		
2	2	2F26	19		2-00	1-05	2-00							1-05		1-05	4-03		
2	2	2F31	19		2-00	2-043	2-00							1-05		1-05	5-023		



CONTR/ENGR VERIFY IS THERE ANOTHER STEP REQUIRED BETWEEN THESE OR IS IT SUPPOSE TO SLOPE? PLEASE ADVISE

CONTR/ENGR PLEASE ADVISE IF 98'-8" IS CORRECT OR SHOULD IT BE 98'-6"?

FOR FILE & FIELD USE

FRACTIONS ARE DISPLAYED IN QUARTER INCHES
 EX. 0-041=1/4" ; 0-042=1/2" ; 0-043=3/4"
 DETAILED FROM STRUCTURAL DRAWINGS:
 DATED: 3/31/10

TITLE FOUNDATION PLAN			
PROJECT			
CUSTOMER			
DRAWN BY RM		CHECKED BY	
DATE 7/22/10		DATE	
JOB #		DWG #	
1 OF 2		R00-1	
REV	REVISION DESCRIPTION	DATE	