

FIELD STOCK	FIELD STOCK
10#4 40-00	10#4 46T70
10#5 40-00	10#5 5G033
10#6 40-00	10#6 5G533

LAP CHART - SLABS 12" THICK OR LESS (60 (RAMP SLAB))		
BAR SIZE	CLASS A (Ld)	CLASS B
#3	13"	17"
#4	17"	23"
#5	22"	29"
#6	26"	34"
#7	34"	44"
#8	44"	56"
#9	56"	72"
#10	72"	94"
#11	94"	117"

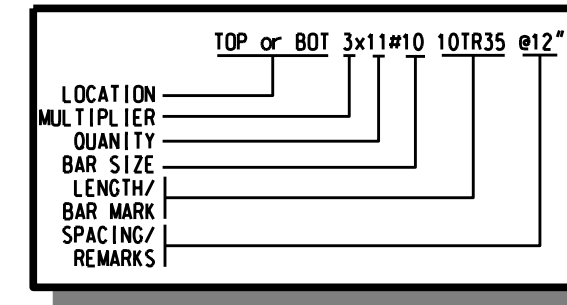
LAP CHART - SLABS GREATER THAN 13" THICK (60 (RAMP SLAB))				
BAR SIZE	TOP CLASS A (Ld)	OTHER CLASS A (Ld)	TOP CLASS B	OTHER CLASS B
#3	17"	13"	22"	17"
#4	23"	17"	29"	23"
#5	28"	22"	38"	29"
#6	34"	26"	44"	34"
#7	44"	34"	56"	44"
#8	56"	44"	72"	56"
#9	72"	56"	94"	72"
#10	94"	72"	117"	94"
#11	117"	94"	152"	117"

LAP CHART - SLABS 12" THICK OR LESS (8.6 (8,600 PSI) TYP U.N.O.)		
BAR SIZE	CLASS A (Ld)	CLASS B
#3	10"	13"
#4	13"	17"
#5	17"	22"
#6	20"	26"
#7	26"	34"
#8	34"	44"
#9	44"	56"
#10	56"	72"
#11	72"	94"

LAP CHART - SLABS GREATER THAN 13" THICK (8.6 (8,600 PSI) TYP U.N.O.)				
BAR SIZE	TOP CLASS A (Ld)	OTHER CLASS A (Ld)	TOP CLASS B	OTHER CLASS B
#3	13"	10"	17"	13"
#4	18"	13"	23"	17"
#5	22"	17"	28"	22"
#6	26"	20"	34"	26"
#7	34"	26"	44"	34"
#8	44"	34"	56"	44"
#9	56"	44"	72"	56"
#10	72"	56"	94"	72"
#11	94"	72"	117"	94"

LAP CHART - SLABS 12" THICK OR LESS (75 (ELEVATOR CORE SLAB))		
BAR SIZE	CLASS A (Ld)	CLASS B
#3	17"	22"
#4	22"	28"
#5	28"	36"
#6	33"	43"
#7	43"	56"
#8	56"	72"
#9	72"	94"
#10	94"	117"
#11	117"	147"

ABBREVIATIONS	
ALT	- ALTERNATE
BM	- BENCHMARK
B	- BOTTOM
BTM	- BOTTOM
BTM-1	- BOTTOM
CB	- CENTER
CTR	- CENTER
DN	- DOWN
EE	- EACH END
EE	- EACH FACE
ELEV	- ELEVATION
EW	- EACH WAY
FC	- FILL CELL
FDN	- FOUNDATION
FT	- FOOTING
HK	- HOOK
HRZ	- HORIZONTAL
IF	- INSIDE FACE
LW	- LEVEL
LW	- LONG WAY
MID	- MIDDLE
OP	- OUTSIDE FACE
SID	- STANDARD
SW	- SHORT WAY
T	- TOP
T&B	- TOP AND BOTTOM
TRN	- TRANSVERSE
VRT	- VERTICAL
W	- WIDTH
CL	- CENTER LINE
Ø	- ROUND



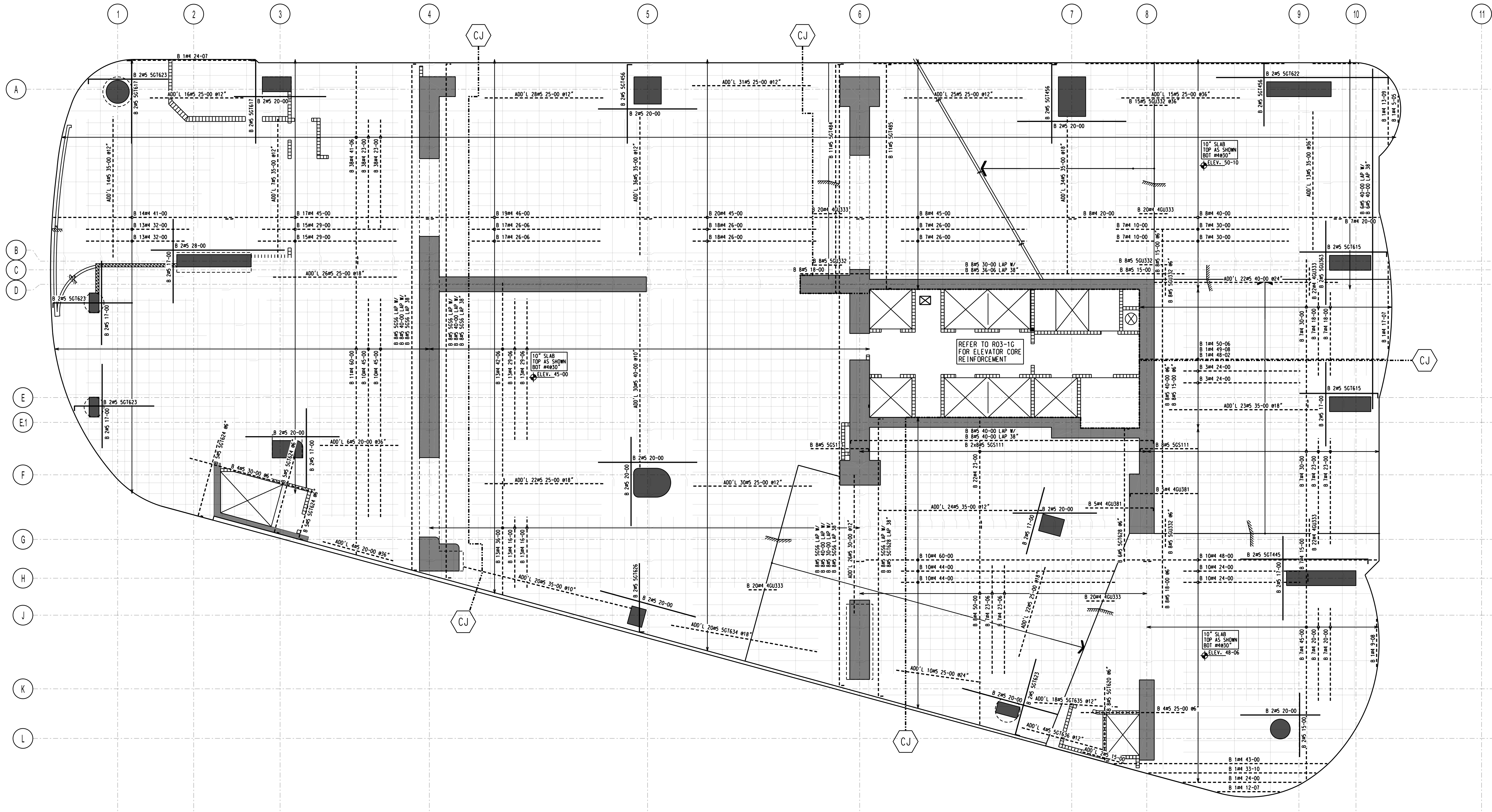
FOR FILE & FIELD USE

REV	REVISION DESCRIPTION	DATE
2	FILE AND FIELD	3/1/17
1	REVISED & RESUBMIT	2/16/17

TITLE		PROJECT		CUSTOMER	
GARAGE - LEVEL 3		TOP REINF		Rosemary Morales	
DATE		JOB #		DWC #	
10/26/16				R03-1A	
SHEET		SHEET		SHEET	
1 OF 7		1 OF 7		1 OF 7	

- NOTES:
- CLEARANCES:
 1" TO EDGE OF SLAB
 3/4" TOP & BOTTOM OF SLAB
 1 1/2" TO BEAM & COLUMN TIES
 3" CLEAR TO FOOTINGS
 - FRACTIONS ARE DISPLAYED IN QUARTER INCHES.
 EXAMPLE: 0-041 = 4 1/4", 0-042 = 4 1/2", 0-043 = 4 3/4"
 - DETAILED FROM STRUCTURAL DWGS DATED 7/21/16. UPDATED PER DTP #90

ALL REINFORCING BARS CONFORM TO ASTM A615 GRADE 60 UNLESS NOTED OTHERWISE. THIS DRAWING TO BE USED FOR REBAR PLACEMENT ONLY.



LAP CHART - SLABS 12" THICK OR LESS (60 (RAMP SLAB))

BAR SIZE	CLASS A (Ld)	CLASS B
#3	13"	17"
#4	17"	23"
#5	22"	29"
#6	26"	34"
#7	34"	44"
#8	44"	56"
#9	56"	72"
#10	72"	94"
#11	94"	117"

LAP CHART - SLABS GREATER THAN 13" THICK (60 (RAMP SLAB))

BAR SIZE	CLASS A (Ld)	OTHER CLASS A (Ld)	TOP CLASS B	OTHER CLASS B
#3	17"	13"	22"	17"
#4	23"	17"	29"	23"
#5	28"	22"	38"	29"
#6	34"	26"	44"	34"
#7	44"	34"	56"	44"
#8	56"	44"	72"	56"
#9	72"	56"	94"	72"
#10	94"	72"	117"	94"
#11	117"	94"	152"	117"

LAP CHART - SLABS 12" THICK OR LESS (8.6 (8,600 PSI) TYP U.N.O.)

BAR SIZE	CLASS A (Ld)	CLASS B
#3	10"	13"
#4	13"	17"
#5	17"	22"
#6	20"	26"
#7	26"	34"
#8	34"	44"
#9	44"	56"
#10	56"	72"
#11	72"	94"

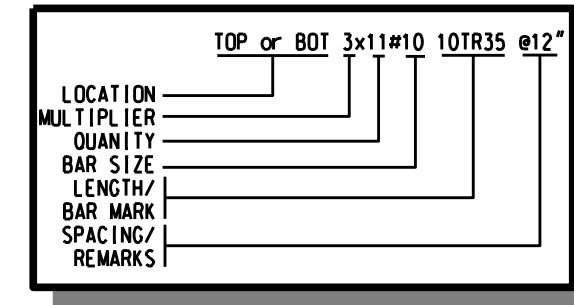
LAP CHART - SLABS GREATER THAN 13" THICK (8.6 (8,600 PSI) TYP U.N.O.)

BAR SIZE	TOP CLASS A (Ld)	OTHER CLASS A (Ld)	TOP CLASS B	OTHER CLASS B
#3	13"	10"	17"	13"
#4	18"	13"	23"	17"
#5	22"	17"	28"	22"
#6	26"	20"	34"	26"
#7	34"	26"	44"	34"
#8	44"	34"	56"	44"
#9	56"	44"	72"	56"
#10	72"	56"	94"	72"
#11	94"	72"	117"	94"

LAP CHART - SLABS 12" THICK OR LESS (75 (ELEVATOR CORE SLAB))

BAR SIZE	CLASS A (Ld)	CLASS B
#3	17"	22"
#4	22"	28"
#5	28"	36"
#6	33"	43"
#7	43"	56"
#8	56"	72"
#9	72"	94"
#10	94"	117"
#11	117"	147"

- ABBREVIATIONS**
- ALT - ALTERNATE
 - BM - BEAM
 - BTM - BOTTOM
 - BTM- - BOTTOM
 - CB - CENTER
 - CB - CENTER BAR
 - DOM - DOMESTIC
 - EE - EACH END
 - EE - EACH FACE
 - ELEV - ELEVATION
 - EW - EACH WAY
 - FC - FILL CELL
 - FDN - FOUNDATION
 - FTG - FOOTING
 - HK - HOOK
 - HRZ - HORIZONTAL
 - IF - INSIDE FACE
 - LW - LEVEL
 - LW - LONG WAY
 - MID - MIDDLE
 - OP - OPPOSITE FACE
 - STD - STANDARD
 - SW - SHORT WAY
 - TOP - TOP
 - T&B - TOP AND BOTTOM
 - TRN - TRANSVERSE
 - VRT - VERTICAL
 - W - WITH
 - Ø - CENTER LINE
 - Ø - ROUND



FOR FILE & FIELD USE

- NOTES:**
- CLEARANCES:
 2" TO EDGE OF SLAB
 3/4" TOP & BOTTOM OF SLAB
 1 1/2" TO BEAM & COLUMN TIES
 3" CLEAR TO FOOTINGS
 - FRACTIONS ARE DISPLAYED IN QUARTER INCHES.
 EXAMPLE: 0-3/4" = 4 1/4", 0-3/42" = 4 1/2", 0-3/43" = 4 3/4"
 - DETAILED FROM STRUCTURAL DWGS DATED 7/21/16, UPDATED PER OIP #00

TITLE	GARAGE - LEVEL 3	
PROJECT	BOTTOM REINF	
CUSTOMER		
DRAWN BY	Rosemary Morales	
DATE	10/26/16	JOB #
SHEET	2 OF 7	DWG #
		R03-1B

REV	REVISION DESCRIPTION	DATE
2	FILE AND FIELD	3/1/17
1	REVISED & RESUBMIT	2/16/17
	REVISION DESCRIPTION	DATE